


HBL2343 -- Twist-Lock Connector Body



2P3W, 20A 480V AC, L8-20R, Black & White Nylon

Product Specifications

Product Type	 <p>Twist-Lock Devices</p>
Product Item	Connector Body
Wiring Scheme	2 Pole, 3 Wire Grounding
Amperage	20A
Voltage	480V AC
NEMA Configuration	L8-20R
Item Style	Insulgrip
Device Color	Black/White
Cord Dia.	.360"-.930" (9-24)
Terminal Retainer Material	Clear polycarbonate
Housing Material	Black nylon
Cord Clamp Material	Natural (white) nylon
Terminal Clamp Material	.08" (2) steel-nickel plated
Terminal Screw Material	#10-32 Brass (white finish on neutral screw when used) Multi-drive
Ground Screw Material	#10-32 Brass (green finish) Multi-drive

Cord Clamp Screw Material	Steel, zinc plated Multi-drive
Body Holding Screw Material	Steel, zinc plated Multi-drive
Body Contact Carrier Material	Natural White Nylon
Contact Spring Material	Brass
Spring Binding Plate Material	Brass
Ground Contact Material	.031" (.8) Brass
Ratings	Molded into face.
Catalog No.	Permanently ink marked on body.
Dielectric Voltage Withstand	2,000V minimum
Current Interrupting	Certified for current interrupting at full rated current.
Temperature Rise	Max 30 C temperature rise at full rated current after 50 cycles of overload at 150% of rated current at a power factor of .75.
Cord Accommodation	Round portable service cords of diameters commensurate with the device rating as defined in UL Standard 62, CSA C22.2 No. 49.
Terminal Accommodation	20A #12 AWG
Terminal Identification	Terminals identified in accordance with UL 498 (X, Y, Z, White, Green)
Flammability	HB or better per UL 94 or CSA 22.2 No. 0.6
Operating Temperatures	Maximum Continuous 75 C Minimum -40 C (w/o impact)
Moisture Resistance	IP20
Listings	FED SPEC UL/CSA
Feature Info	Black and white nylon.
Catalog Page	Click here for catalog page B26
Brochures	Click here for product brochure
Hubbellnet	Click here for Hubbellnet
Catalog Section	Click here for Section-B
UPC Number	78358503798
Weight in LBs	0.35



NEMA L8-20R
20A 480V AC
UL/CSA

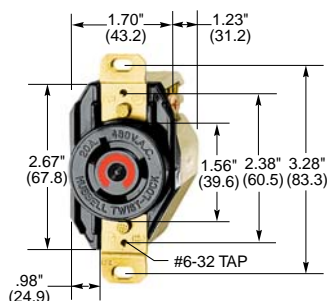
NEMA
Configuration



TWIST-LOCK® Devices 2 Pole, 3 Wire Grounding

20 Ampere, 347, 480 and 600 Volts AC

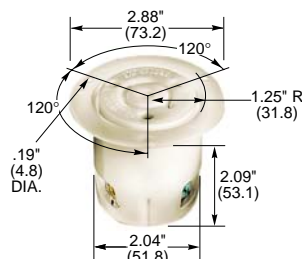
Receptacles, INSULGRIP® Connector Bodies, Flanged Devices and Plugs



HBL2340



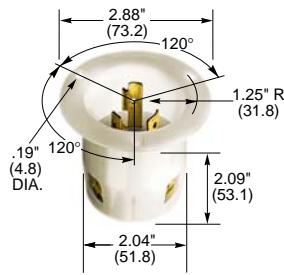
HBL2343



HBL2346



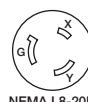
HBL2341



HBL2345



NEMA L24-20R
20A 347V AC
UL/CSA



NEMA L8-20R
20A 480V AC
UL/CSA
3 HP



NEMA L9-20R
20A 600V AC
UL/CSA

Single Flush Receptacles, Back and Side Wired

Description	Catalog Numbers		
Black nylon face.	HBL3720	HBL2340	HBL2350
Isolated ground, orange nylon face.	-	IG2340	-

Insulgrip Connector Bodies IP20 SUITABILITY

Description	Catalog Numbers		
Black and white nylon.	HBL3723	HBL2343	HBL2353

Note: Cord clamp range .360"-.930" (9-24).

Insulgrip Flanged Receptacles

Description	Catalog Numbers		
Nylon casing, back wired.	HBL3726	HBL2346	HBL2356



NEMA L24-20P
20A 347V AC
UL/CSA



NEMA L8-20P
20A 480V AC
UL/CSA
3 HP



NEMA L9-20P
20A 600V AC
UL/CSA

Insulgrip Plugs IP20 SUITABILITY

Description	Catalog Numbers		
Black and white nylon.	HBL3721	HBL2341	HBL2351

Notes: Cord clamp range .360"-.930" (9-24).
See page B-73 for Add-A-Shroud™ kit.

Insulgrip Flanged Inlets

Description	Catalog Numbers		
Nylon casing, back wired.	HBL3725	HBL2345	HBL2355

Notes: Only receptacles and plugs up to 480V AC are HP rated.
For technical information see page B-83.
See pages B-68 and B-69 for accessories.
See page B-63 for switched enclosure.
HP ratings are AC only.